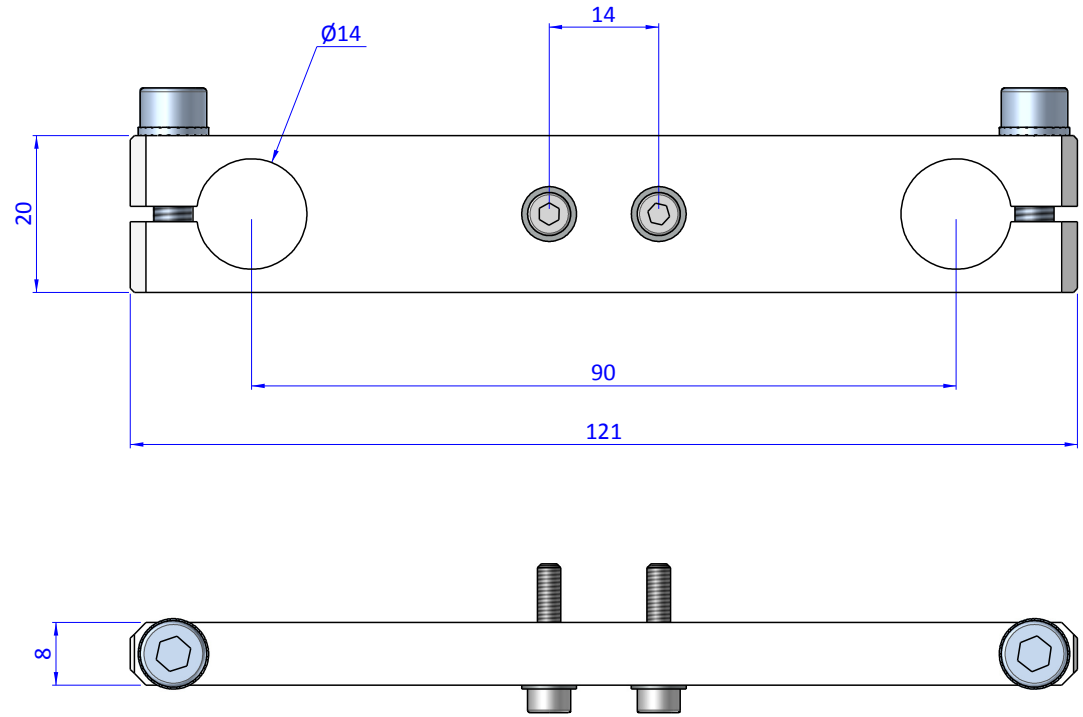
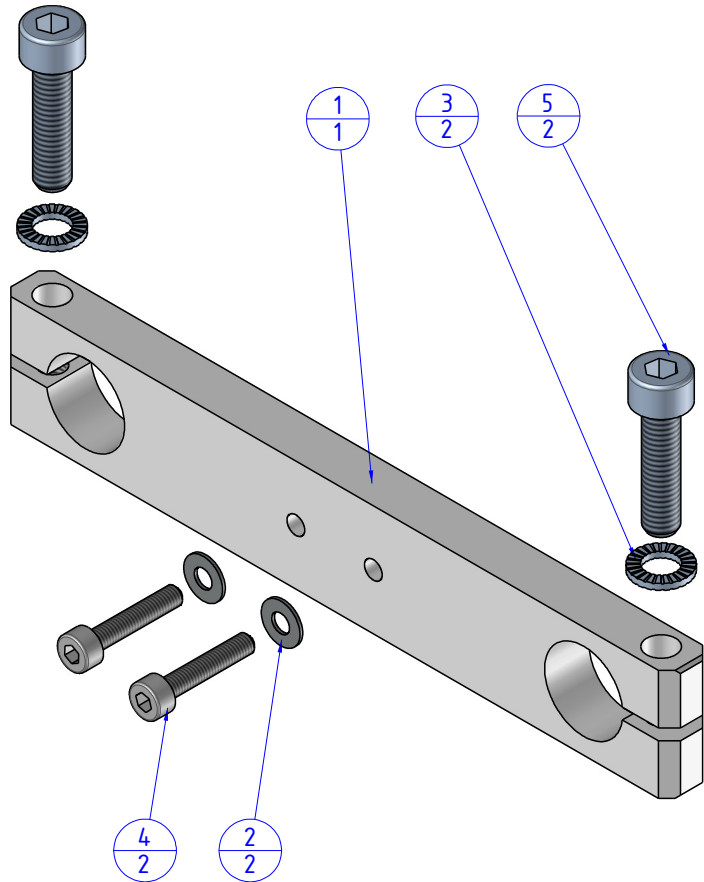


THE PROPERTY OF THE DRAWING IS ESTABLISHED BY LAW. IT IS FORBIDDEN TO PRODUCE OR SHOW IT TO THIRD PARTY, WITHOUT A WRITTEN AGREEMENT.

Item	Name	Q. ty
1	KBH.16.14.90	1
2	R.3	2
3	R.5.SCH	2
4	V.TCE3x16	2
5	V.TCE5x20	2



Format A3

UNI 936-76

		DESIGNED FROM		REVIEW
		FPSERVICES		A
GENERAL TOLERANCE		DATE	WEIGHT	
UNI - ISO 2768		23/10/2018	0,056kg	
CLASSE f		CODE		
		CA.KBH.16.14.90		CA.KBH.16.14.90